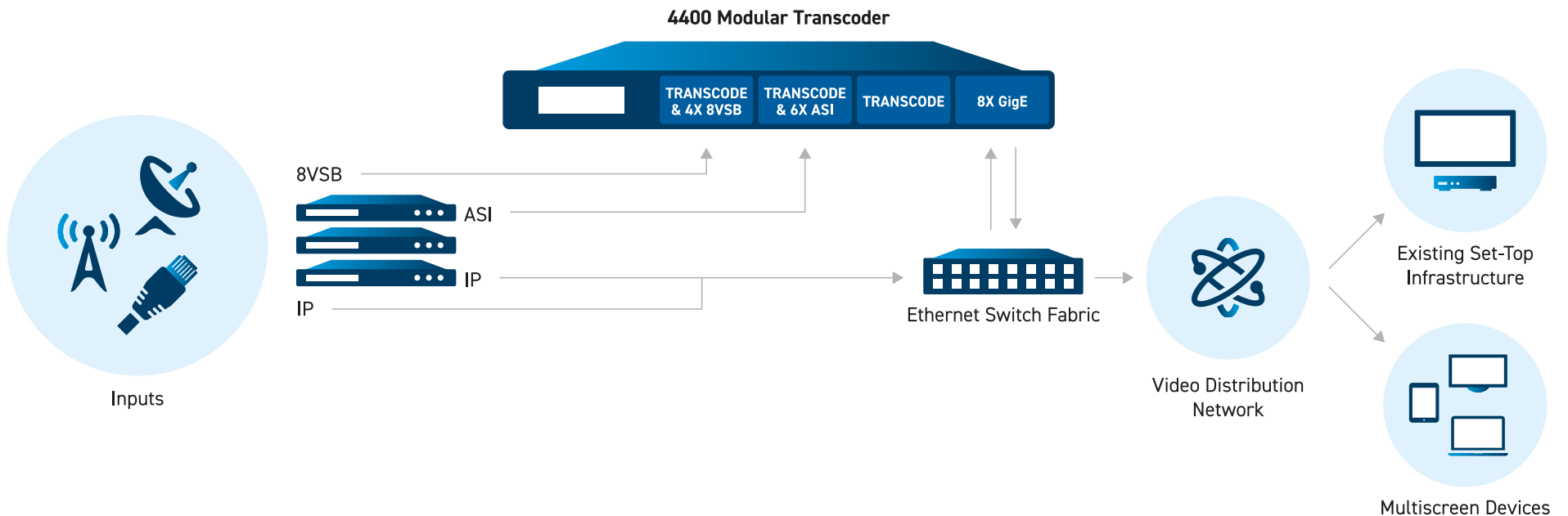


## Transcode, Transrate and Downscale Digital Video for Linear or ABR Applications

Up to 36x HD or 90x SD Services • Supports 4KIUHD and HEVC • Redundancy and Failover Options • Subtitle Burn-In



Looking for a Specific Solution?

[TALK TO OUR TECH EXPERTS >](#)

[www.incanetworks.com/contact-our-technical-expert/](http://www.incanetworks.com/contact-our-technical-expert/)

Interested In More In-Depth Product Knowledge?

[REQUEST A PRODUCT DEMO >](#)

[www.incanetworks.com/request-product-demo/](http://www.incanetworks.com/request-product-demo/)

Want a Customized Quote?

[CONTACT SALES TEAM >](#)

[sales.na@incanetworks.com](mailto:sales.na@incanetworks.com) • +1-604-998-4665